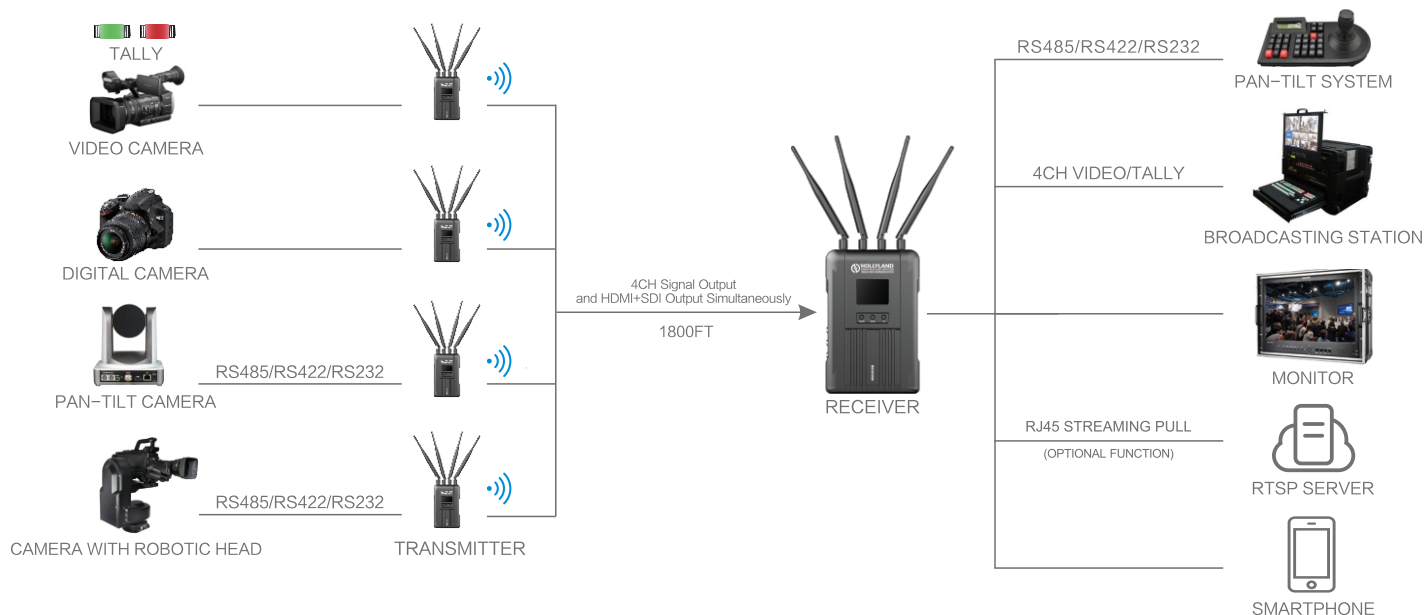




SYSCOM 421

4 TRANSMITTERS WITH 1 RECEIVER
1800FT VIDEO/AUDIO TRANSMISSION SYSTEM

Applications



Syscom 421 can be widely used in educational activities, filmmaking, sports event broadcast, live wedding broadcast, etc.

Features

- Long-Distance Audio/Video Transmission
- 4CH HDMI/SDI Input and 4CH Video HDMI/SDI Output.
- Tally Function and USB Firmware Upgrade
- CCU Remote Control
- Live Streaming Push-Pull Function on Smartphone

	Transmitter	Receiver
Video Format	HDMI:480P@60Hz.576P@50Hz.720P@50/60Hz. 1080i@50/60 Hz 1080P@25/30/50/60 Hz SDI: 3G, HD, and SD-SDI, SMPTE-259/274/292/372/424/425;	HDMI:480P@60Hz.576P@50Hz.720P@50/60Hz. 1080i@50/60 Hz 1080P@25/30/50/60 Hz SDI: 3G, HD, and SD-SDI, SMPTE-259/274/292/372/424/425;
Frequency Band	5.1-5.8GHz	
Transmission Power	23dBm	/
Occupied Bandwidth	40MHz	

Packing List

- Transmitter x 4
- Receiver x 1
- Antennas x 25
- User Manual x1
- Receiver Adapter x1
- USB Cable x1
- Cold Shoe x 1
- Lemo Cable(2pin) x5

*Please subject to actual shipment as the standard if any difference in accessories.